

Studioilse w084



## DETAILS

---

### STUDIOILSE W084T / W084F

---

**TECHNICAL INFORMATION:** Light source: GY6.35 socket  
Light source included  
Max 35 W

---

**MATERIAL:** The base of Studioilse w084 table and floor lamp is made of sand-casted iron, that is treated with burnt vegetable oil. The arms are made of beech, the joints of die-cast aluminum and the shade is made of injection moulded chalk/glass/PBT.

---

**DIMMABLE:** The light is dimmable at the turn of a dimmer button.



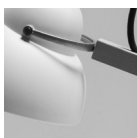
**SLIGHTLY TRANSPARENT SHADE:** The white shade gives a slightly transparent glow.



**FRICTION JOINTS:** The friction joints are used to adjust the arm to the preferred fixed position.



**ADJUSTABLE SHADE:** The shade can be adjusted both vertically and horizontally.



**ROTATION MECHANISM:** A rotation mechanism in the iron base allows rotation of the lamp.




---

<b>PACKAGING:</b>	<b>Studioilse w084f</b>	<b>Studioilse w084t1</b> <b>Studioilse w084t2</b>
	Weight: 12 kg Length: 120 cm Width: 25 cm Height: 22 cm Volume: 0.066 m <sup>3</sup>	Weight: 6.5 kg Length: 60 cm Width: 46 cm Height: 21 cm Volume: 0.058 m <sup>3</sup>

---

**COLOURS:**



red cable



brown cable

# MODELS



FLOOR LAMP



TABLE LAMP  
ONE ARM

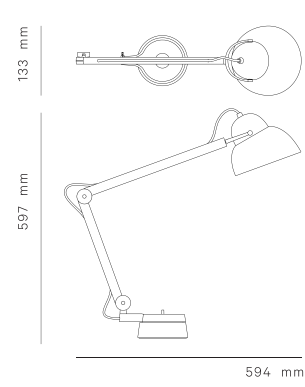
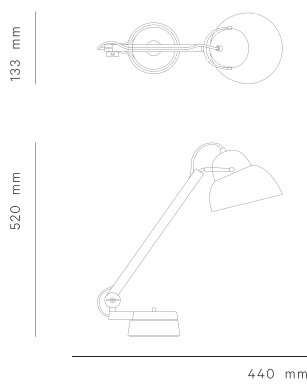
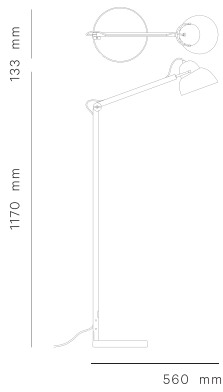


TABLE LAMP  
TWO ARMS

Studioilse w084f

Studioilse w084t1

Studioilse w084t2



084F100 Colour: red cable  
084F103 Colour: brown cable

084T100 Colour: red cable  
084T103 Colour: brown cable

084T200 Colour: red cable  
084T203 Colour: brown cable

ARTICLE NO.

# DETAILS

---

## STUDIOILSE W084S / W084W

---

### TECHNICAL INFORMATION:

Light source: 7,5 W LED  
Light source included  
Colour temperature: 3.000 K  
CRI: 90  
Lumen: 700  
Lumen / W: 93  
LED Life-time: 50.000 h

---

### MATERIAL:

The shade is made from brushed hand-spun aluminium. On the wall version the bracket, counter-weight and dimmer-house are made of sand-casted iron, that is treated with burnt vegetable oil. And the arm of the wall version is made of beech.

---

### WARM WHITE LED:



The light technology is based on highly energy-efficient, high quality, LED solution that gives a warm white light.

---

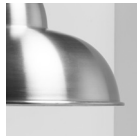
### DIMMABLE:



The shade has an integrated dimmable electronic driver that enables dimming from an external dimmer. For example a wall dimmer.

---

### GLARE-PROTECTING SHADE AND DIFFUSER:



The shade protects from glare while the diffuser gives an evenly distributed light.

---

### PACKAGING:

	Studioilse w084s	Studioilse w084w	
		Crt.1	Crt.2
Weight:	2,5 kg	Weight: 6 kg	1,5 kg
Length:	39 cm	Length: 39 cm	183 cm
Width:	39 cm	Width: 39 cm	7 cm
Height:	35 cm	Height: 35 cm	5 cm
Volume:	0,05 m3	Volume: 0,05 m3	0,006 m3

---

### COLOURS:



red cable



brown cable

# MODELS



PENDANT LAMP



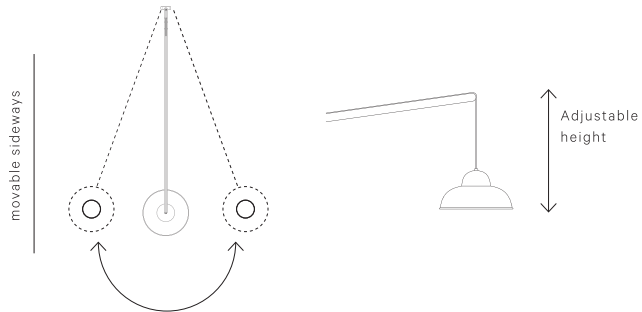
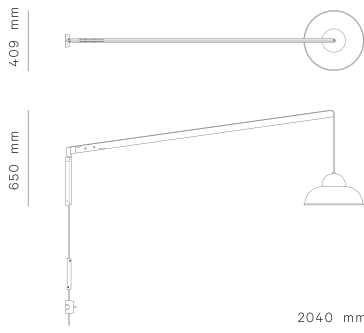
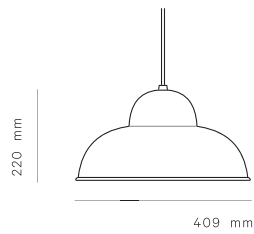
WALL LAMP

SUSPENSION

3m textile cable  
· ceiling rose included

Studioilse w084s

Studioilse w084w



ARTICLE NO.

084S100 Colour: red cable  
084S103 Colour: brown cable

084W100 Colour: red cable  
084W103 Colour: brown cable