

Massaud w083



## DETAILS

---

**TECHNICAL INFORMATION:**

Light source: 4 W LED  
Light source included  
Colour temperature: 3.000 K  
CRI: > 80  
Lumen: 380  
Lumen / W: 90  
LED Life-time: 50.000 h

---

**MATERIAL:**

The upper base, arm and shade is made of die-cast aluminium and the lower base is made of silicone.

---

**WARM WHITE LED:**

The light technology is based on an energy-efficient, high quality, LED solution, which gives a warm white light.

---

**OPTICAL LENSES:**

Optical lenses gives good light distribution and glare-protection.

---

**SPRING-BALANCE CONSTRUCTION:**

The sophisticated spring-balanced construction enables very smooth and distinct adjustment of the fixture.

---

**DIMMABLE:**

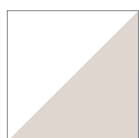
There is an integrated dimmable LED driver that is operated by a three step dimmer button.

---

**PACKAGING:****Massaud w083t**

Weight: 3 kg  
Length: 80 cm  
Width: 16 cm  
Height: 16 cm  
Volume: 0,02 m3

---

**COLOURS:**

white/grey



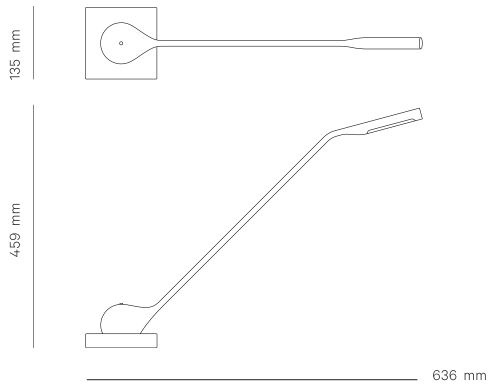
black

# MODELS



TABLE LAMP

Massaud w083t



ARTICLE NO.

083T124 Colour: white / grey  
083T155 Colour: black / black