

Dining Table

Congrats on your new table!

We hope very much that you are going to be happy with your new Dining Table for many years to come. In the following pages you will find out how to assemble and look after your new piece of furniture.

Taking care of your Dining table:

Linoleum

You may have chosen a table with a linoleum surface. Linoleum is a natural material consisting mainly of linseed oil, pine resin and mineral fillers. We have chosen to work with linoleum because it is extremely durable and has antibacterial properties. A bit like oak actually.

To keep your tabletop in the best possible condition, regularly use a special soap for linoleum (2-4 times a year, depending on how heavy the table is used). This will restore the natural oils of the material and keep it good looking.

For daily cleaning you can run over the table with a damp cloth. Stains should be removed immediately to avoid them from soaking into the material. If your table is very dirty you can wash it with a solution of soap shavings, but avoid dishwashing fluid or harder cleaning agents.

New linoleum may have a slight yellow glow. This will disappear when exposed to daylight, but can return if stored in a place with no light. So if you eg. keep your extension leaves in a closet, they might differ slightly in colour when pulled out again. This difference will level out once exposed to daylight again.

Wood

All wooden parts, including the tabletop, have been treated with a clear, water based lacquer.

The lacquer will protect the table from water, coffee, soda, wine and other common liquids spilled on a dining table. If you need to clean the table do so with a damp cloth using a mild detergent if needed.

Do not leave the table wet or soaked for longer periods of time and always remember to dry it off after cleaning.

Brass

The brass fittings on your dining table have been left untreated and will become darker and patinate over time. Should you wish, the brass can be restored to a polished finish using common metal polishes available in eg. hardware stores.

5 Year Warranty

We believe in what we do and in the quality of our products. That's why we give you a 5 year warranty. This guarantee covers any functional, material or manufacturing defect on any product you buy from us for private use.

Safety and durability

The durability and safety of our tables have been tested by the Danish Technological Institute according to the European standard for dining tables EN 15372:2016, and has passed this test.

Spare parts – Keep it going forever

Your table is made of separable parts. This means that should you at some point wish to replace the table top with a bigger or smaller top – or a top with another surface, this is easily done. No need to buy an entirely new table, you can easily buy a new top from us – or if you prefer buy one locally.

Even though your table is designed to last a lifetime, sometimes you can end up in a situation where you need to repair it. Don't fear. We make all of our designs easy and simple to repair. Simply head over to our website and navigate to the spare parts section and find the part you need. If you're in doubt, then we're only a phone call away. It should always be easier and cheaper to repair than buying new.

All of our designs are covered with a 5 year warranty from the date of purchase, covering any breakages related to deficient craftsmanship under normal everyday use. Please note that the table is made for indoor use only.

Recycling

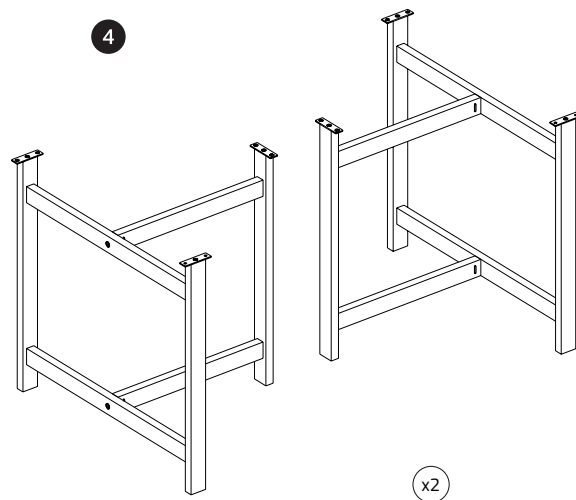
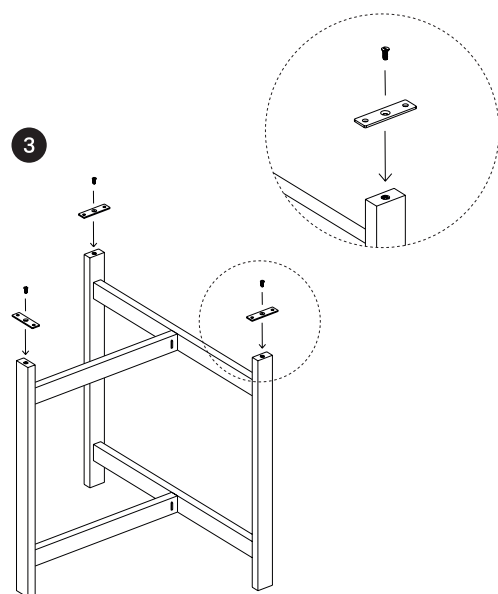
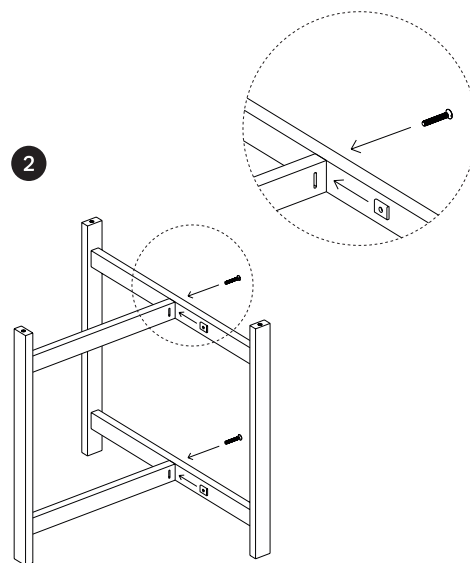
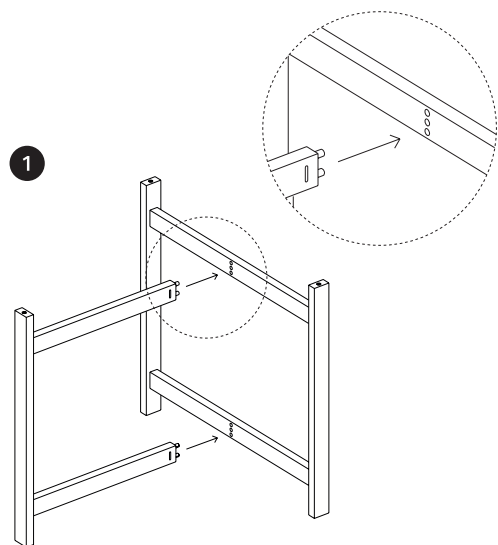
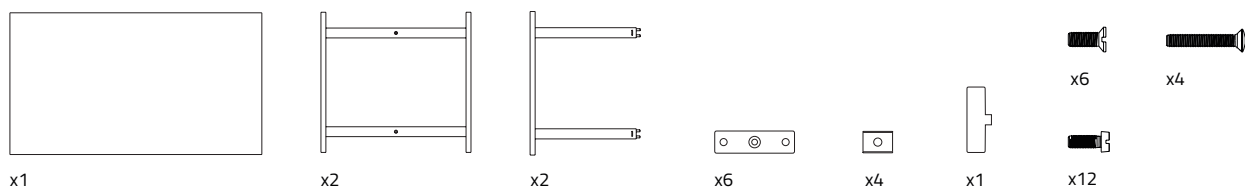
Whilst we hope that your MOEBE table will serve you well for many years to come, if you do at some point wish to recycle it then it is easy to do so. Simply split the product down into its separate parts and recycle them by material.

The table top is made of FSC mdf board with an oak veneer or linoleum. If at some point you choose to take this to your local site for recycling, please take out the 12 inserted metal screws. This can be easily done with a standard hex key.

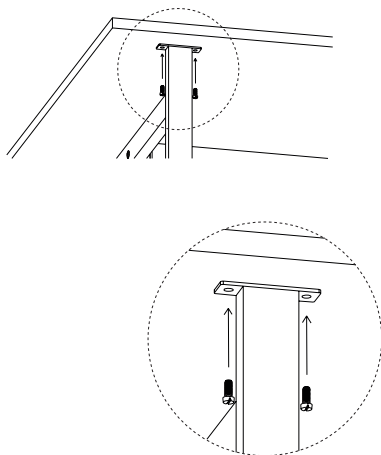
The legs are made of solid oak, and all other parts are solid brass and can be recycled as such.

All parts can be recycled. How this is done depends on local regulations and facilities.

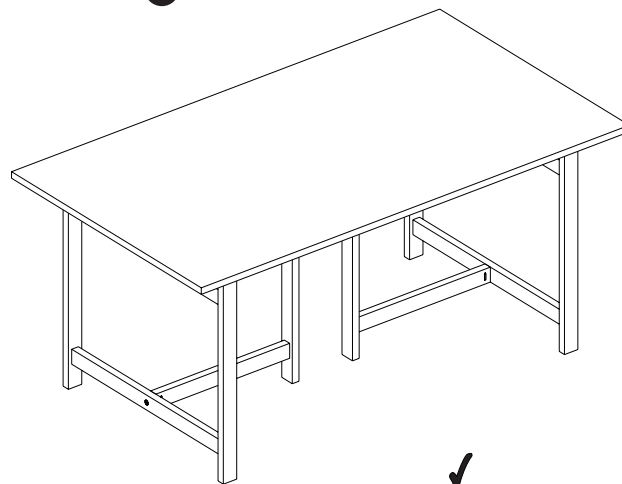
Rectangular Dining Table



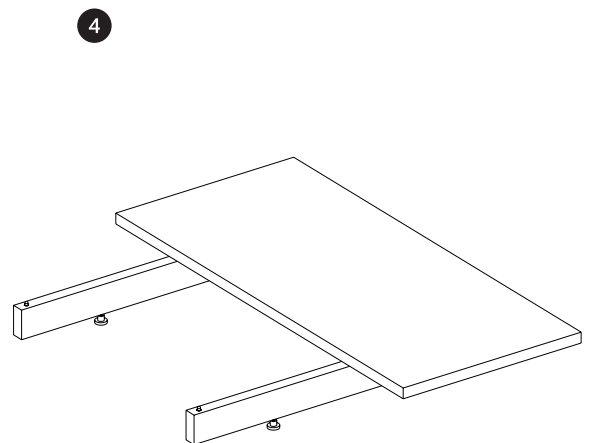
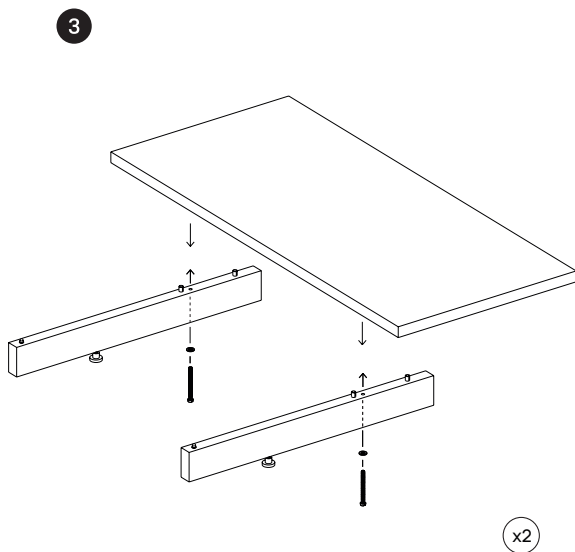
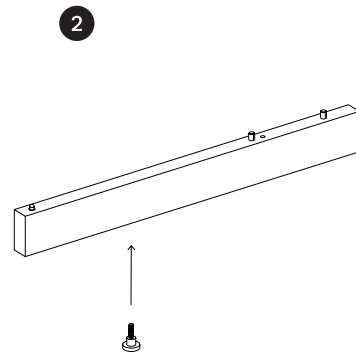
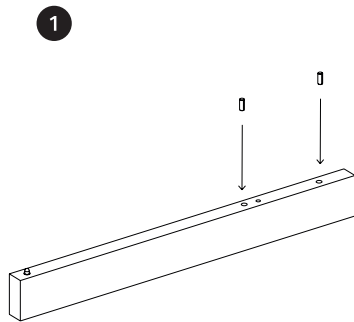
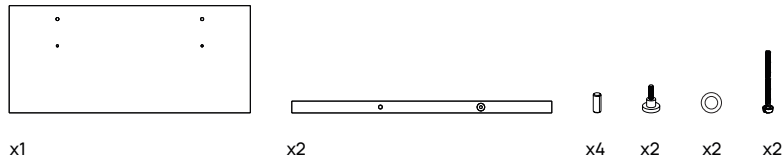
5



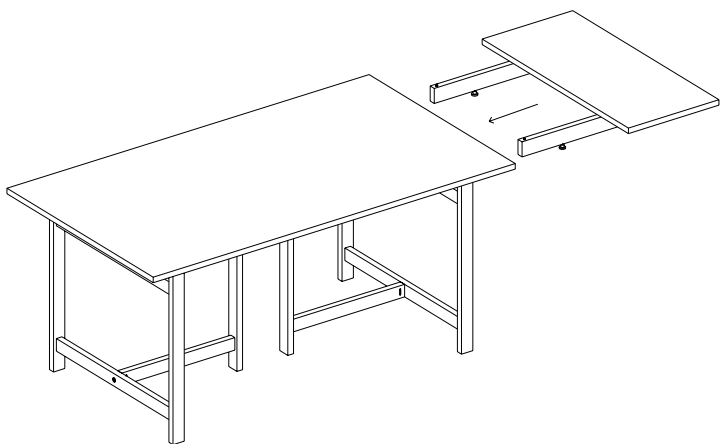
6



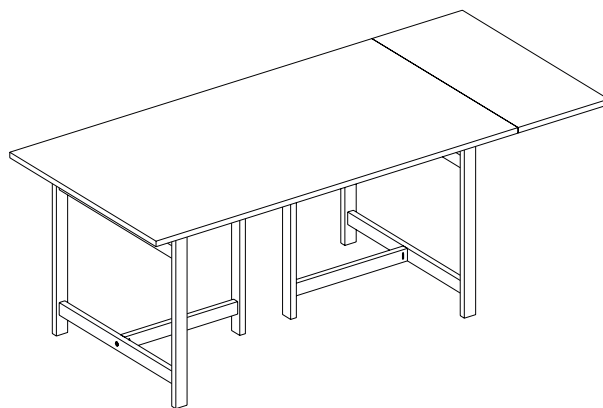
Extension Leaf



5



6



7

